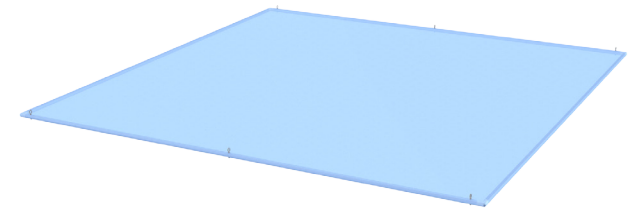
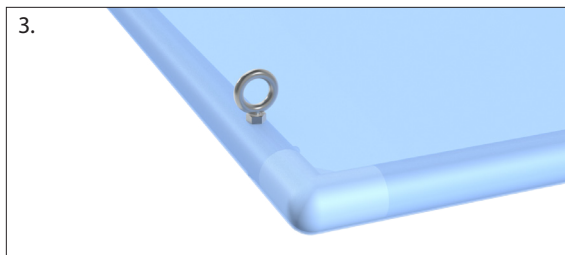
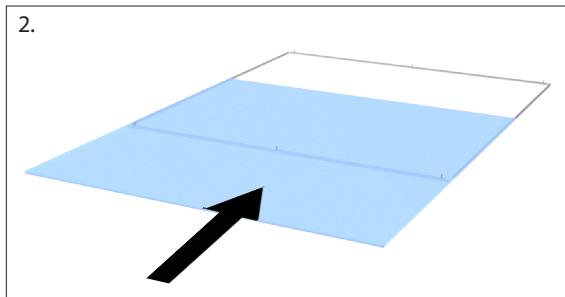
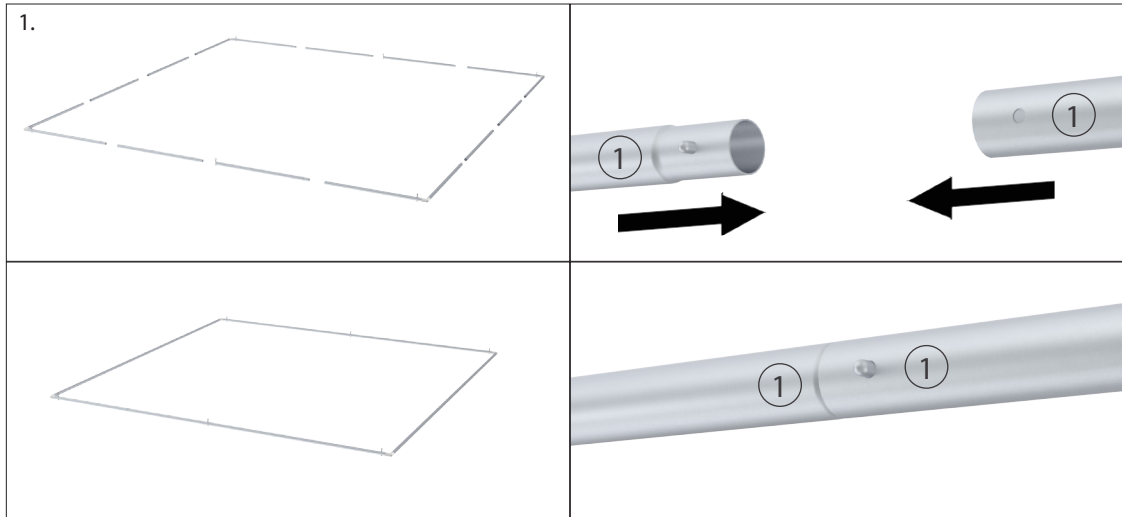


# Flat Fabric Pillowcase Panel™ - FPL Series

1. Join the swedged tube sections together using the spring button, where the numbers match (1 with 1, 2 with 2, etc.).
2. Slide the graphic over the frame. Be careful to slide the eyebolt through the holes (if included). Close the zipper.
3. Use the pre-attached eye bolts to hang the frame.

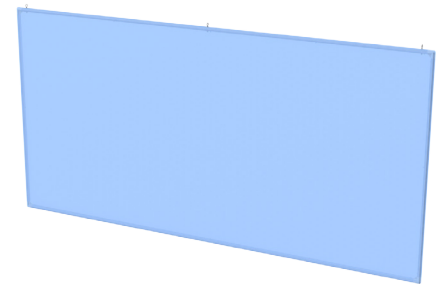
NOTE: Model shown below may differ from your model. Although the number of tube sections may change, assembly instructions remain the same.



FPL125-C



FPL126-V



FPL126-H